

CAMSTAR DEFENCE



STAR M30 1911

OPERATION & SAFETY MANUAL

IMPORTANT SAFETY INFORMATION INSIDE

Read this manual before handling this firearm. Keep this manual with your firearm and review it before each use. Do not allow others to handle or fire your firearm until they have read this manual. Transfer manual on ownership change. Be a responsible firearm owner. Use it safely, store it securely, and always transfer a firearm responsibly and legally.

CONTENTS

Foreword	2
Know Your Gun	3
• Read & Understand this Manual	
Read and Understand this Manual	3
• Be a responsible firearm owner	
Handling	4
• Read these rules	
Specifications	6
Operations	7
• THE 1911 FIRE CONTROL SYSTEM	
• Safety Features	
• Basic Operations	
• Loading	
• Unloading	
Care Support	16
Diagram & Parts List	18
Certification	19
Warranty	20
Contact us	21

FOREWORD

Star M30 is World's First 1911 Design .30 (7.62mm) Caliber indigenously designed and manufactured Semi-Automatic Pistol. It is a single action, magazine fed, recoil operated pistol chambered for the .30 Cartridge. Virtually every critical component of every pistol is manufactured inside the Camstar factory. The finest raw materials come through the front gate and Camstar does the rest, the only way to ensure that every part meets unequalled standards. For those that demand a no-nonsense approach to their defensive grade pistol, Star M30 stands ready to deliver.

While .30 Caliber is one of the most popular and growing calibers in Indian civilian industry, Camstar believes in both performance and safety. Star M30 features 3 safety locks and is the only semi auto .30 pistol that ticks all safety checks and assures commitment to manufacture a firearm that not only delivers in performance, but also excels in weapon safety and handling.

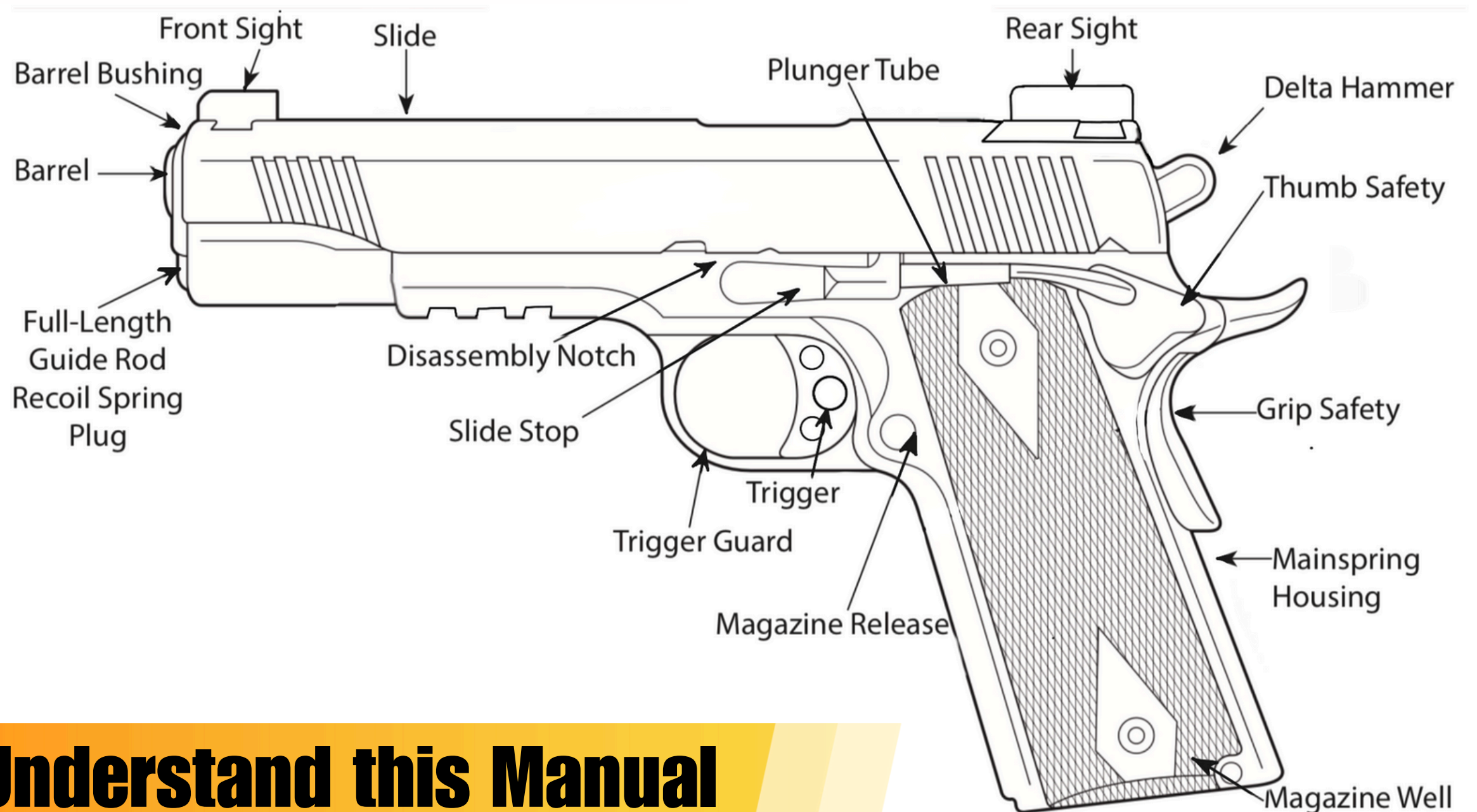
Camstar Team has more than 25 years of experience in working closely with Indian Defence industry and stands as a beacon of excellence, proudly rooted in the ethos of making 100% of our products in India. At Camstar Defence, we believe in the power of local expertise, fostering a culture of innovation, and nurturing a commitment to national security. Our journey is defined by decades of tireless dedication to delivering cutting-edge solutions that empower our armed forces while upholding the highest standards of quality.

With an unwavering focus on quality, we ensure that every product that bears the Camstar Defence name is a testament to our dedication to excellence. With complete in-house control over manufacturing processes, we leave no stone unturned in guaranteeing that our products meet and exceed the stringent demands of modern defense requirements. Quality is never compromised at Camstar Defence. We understand the critical nature of our products and their impact on the safety and security of our nation. That's why we adhere to the rigorous quality standards prevalent in the defence industry, employing robust mechanisms for complete tracking, accountability, and safety of both our employees and customers.

Our commitment extends beyond merely delivering products; it encompasses building enduring partnerships, fostering trust, and ensuring the success of every mission. At Camstar Defence, we take immense pride in our contribution to India's defense capabilities, and we remain steadfast in our resolve to continue pushing boundaries, innovating, and delivering excellence.

Join us in our journey as we continue to safeguard our nation with pride, passion, and unwavering commitment. Experience the Camstar Defence difference today.

Know Your Gun



Read & Understand this Manual

Be A Safe Firearm Owner.

ACCIDENT (*ak' si dent*) N. 1. An unintentional or unexpected happening that is undesirable or unfortunate, especially one resulting in injury, damage, harm or loss.

Don't be the cause of an accident.

A responsible firearm owner is safety minded and always handles firearms in a safe manner by following the basic rules of safe shooting and by using common sense in the handling of a firearm.

Store firearms unloaded, locked, and in a secure place.

Keep keys for locks separate from lock and in a secure place away from children. Keep firearms out of reach of children. You are responsible for children's safety.

BE A RESPONSIBLE FIREARM OWNER!

Treat all firearms as if they are loaded at all times.

Although many safety mechanisms are designed into your firearm, firearm safety still depends on you being a responsible firearms owner.

Never point a firearm at any person or thing you do not intend to shoot.

Be sure you have positively identified your target.

ALWAYS KEEP THE MUZZLE POINTED IN A SAFE DIRECTION.

Do not drop your firearm. Make sure you maintain control of your firearm at all times. If it falls, it may fire depending on situation. If you do drop it, unload it and examine it to be sure it works correctly. Do not attempt to fire it again until you have completed this safety check.

Never put your hand over the muzzle of the firearm.

Keep your finger(s) off the trigger and out of the trigger guard until you are actually aiming at your target, and made the decision to fire.

Under no circumstances should the owner of this firearm allow it to come into possession of or be handled by small children or a mentally handicapped individual.

DO NOT COVER THE EJECTION PORT WITH YOUR HANDS WHEN LOADING/UNLOADING YOUR FIREARM.

BE A RESPONSIBLE FIREARM OWNER!

Never rely on a firearm's "safety features" to protect you from unsafe firearm handling. A safety is only a mechanical device, not a substitute for common sense.

Keep your finger off the trigger until you are on target and have made the DECISION to fire.

Be sure of your target and backstop before you shoot. Ask yourself what your bullet will hit if it misses or goes through the target.

Before shooting, be sure the barrel is clear of obstructions, including excessive oil and grease.

Do not let water, dust, mud or other materials enter the barrel. Do not pull a firearm toward you by the muzzle.

Always hold your firearm so you control the direction of its muzzle in case you fall or stumble.

ALWAYS KEEP THE MUZZLE POINTED IN A SAFE DIRECTION.

If anything does get into the barrel, remove cartridges, and clean bore immediately before attempting to shoot.

Obstructed barrels can burst and injure you and/or bystanders.

Maintain possession of your firearm at all times when you are on the firing range or during target practice.

DO NOT ALLOW OTHERS TO HANDLE YOUR FIREARM UNLESS THAT PERSON IS BEING INSTRUCTED OR TRAINED.

DO NOT COVER THE EJECTION PORT WITH YOUR HANDS WHEN LOADING/UNLOADING YOUR FIREARM.

HANDLING

ALWAYS KEEP THE MUZZLE POINTED IN A SAFE DIRECTION.

Firearms and alcohol or drugs do not mix. Do not take them before or during shooting activities. Your vision coordination and judgment could be impaired making firearm handling unsafe.

When taking medication, seek a doctor's advice to be sure you can operate and handle your firearm safely. Receive training from a competent firearms instructor before using any firearm.

Before attempting to shoot, practice operations by using snap caps (dummy rounds). Become familiar with the safety features, trigger control, and handling of the firearm. Make sure you maintain control of your firearm at all times.

Always keep and carry your firearm with an empty chamber until you intend to shoot, so your firearm cannot be fired unintentionally.

Firearms should be unloaded when not in use. This means both the chamber and magazine are empty.

When transferring a firearm by hand, always open the action and check to assure that it is unloaded prior to handing it over to someone.

Never take anyone's word that a firearm is unloaded.

WARNING

When receiving a firearm, always open the action and check that it is unloaded.
Load firearm only when on range preparing to fire.
Unload it before leaving

READ THESE RULES!

Treat every firearm as if it is loaded ... all the time!

Load and unload with the firearm muzzle pointed in a safe direction.
Be certain firearm is unloaded before cleaning.

Completely unload your firearm before storing, travelling, standing it against an object, laying it down entering a house, car, truck, boat, RV/camper, building or handing it to someone.

Never leave a loaded firearm unattended.

Tragedy may result if a child finds your firearm and plays with it. Keep every firearm secure. Children do not believe firearms can kill.

Store firearms and ammunition separately. Both should be placed beyond children's reach.

Obey all laws regarding the storage and security of firearms in the home. Know and obey the laws regarding the transportation and carrying of firearms.

Never carry any firearm, loaded or unloaded, in your pocket, purse or tucked in your belt or waistband. Use a firearm case or a proper holster.

Old or reloaded ammunition may cause damage to the firearm and/or injure you or others. Use only clean, dry, original, high-quality, commercially manufactured ammunition. Using reloaded ammunition will void the warranty.

ALWAYS REMEMBER, REMOVING THE MAGAZINE DOES NOT UNLOAD THE PISTOL NOR DOES IT ENGAGE A SAFETY.

ALWAYS REMEMBER, THE PISTOL IS NOT UNLOADED UNTIL THE MAGAZINE IS REMOVED AND THE CHAMBER IS EMPTY.

ALWAYS REMEMBER, THIS FIREARM IS ABLE TO FIRE WITH OR WITHOUT THE MAGAZINE IN PLACE.

DO NOT COVER THE EJECTION PORT WITH YOUR HANDS WHEN LOADING/UNLOADING YOUR FIREARM.

TREAT EVERY FIREARM AS IF IT IS LOADED... ALL THE TIME!

Many ammunition identifications sound similar. Make sure you use the right caliber/size ammunition in your firearm.

If firearm fails to fire when the trigger is pulled, keep it pointed at the target for at least 30 seconds. Remove the magazine before opening the action. Remove the cartridge from the chamber. Sometimes slow primer ignition will cause a "hang fire" and the cartridge will go off after a short pause.

When group firing, always appoint someone to maintain safety control. Obey his/her commands immediately and completely.

While person is loading, firing, and unloading, spectators need to remain behind the users.

**Always wear protective glasses when shooting.
Always wear hearing protection when shooting.**

Never shoot at hard flat surfaces or water;

bullets will ricochet unpredictably. Do not alter or modify your firearm. Have your firearm serviced regularly by a qualified pistolsmith.

Discharging firearms in poorly ventilated areas, cleaning firearms, or handling ammunition may result in exposure to lead and other substances known to cause birth defects, reproductive harm, cancer and other serious physical injury. Have adequate ventilation at all times. Wash hands thoroughly after firing your

firearm, after cleaning your firearm, or when you have handled ammunition.

Always use quality ammunition.

ALWAYS KEEP THE MUZZLE POINTED IN A SAFE DIRECTION.

DO NOT COVER THE EJECTION PORT WITH YOUR HANDS WHEN LOADING/UNLOADING YOUR FIREARM!

WARNING

This product is a firearm and can be a lethal weapon. Failure to read and properly follow the instructions and warnings in this manual could result in death, serious injury or damage to property. Do not attempt to practice loading or unloading, firing or otherwise handling or using this firearm without a thorough understanding of its safe operation.

Always treat a firearm as if it were fully loaded.

Always store this firearm with the chamber empty, magazine unloaded and with the hammer forward and released on an empty chamber. Failure to do so could result in an unintentional discharge.

It is recommended that you should have training from a qualified instructor prior to holstering, drawing and carrying a loaded firearm. Never carry this firearm loaded unless you have obtained such training. Failure to do so could result in an unintentional discharge.

Keep out of reach of children. For increased safety, firearms should be stored unloaded in a location that is secure and inaccessible to children and any other unauthorized person and with ammunition locked securely in a different location.

When you pull the trigger, you must expect the firearm to fire and take full responsibility for your actions. Read through the entire manual before attempting to use this product. Safe operation of this firearm is your obligation, and requires that you completely read and understand this manual in its entirety.

Specifications

MODEL

M30

TYPE	HANDGUN/PISTOL
CALIBRE	.30 (7.62 X 25 MM)
ACTION	SINGLE ACTION SEMI AUTO
SAFETY	GRIP SAFETY, THUMB SAFETY, HALF COCK, SLIDE LOCK, INERTIAL FIRING PIN
MAGAZINE CAPACITY	9+1
BARREL LENGTH	4.6 INCH
NUMBER OF GROOVES	R6 (CLOCKWISE)
WEIGHT	1010 GRAMS
MATERIAL	STEEL ALLOY
COATING	CERAKOTE
BARREL GROOVING	45°
THICKNESS	25 MM
OVERALL LENGTH	210 MM
FEATURES	WITNESS HOLE, NOVAK STYLE SIGHTS (FORE SIGHT AND REAR SIGHT), G10 GRIPS, LIGHTWEIGHT TRIGGER, PICATINNY RAIL FOR ATTACHMENT, LANYARD LOOP, ILLUMINATED SIGHTS

Operations

THE 1911 FIRE CONTROL SYSTEM

The 1911 fire control system is one of the finest examples of safety and simplicity in a firearm. It is comprised of the following components:

Trigger

The trigger is the mechanism which, when depressed, actuates the firing sequence of the firearm.

Hammer

The hammer, when released from the sear, will travel forward and strike the firing pin with enough force to discharge the cartridge.

Once the slide is in battery, the grip safety fully depressed and the thumb safety off, the trigger may disengage the sear from the hammer hooks. When this happens the hammer will fall forward until it strikes the head of the firing pin. The firing pin will move forward, under spring tension, and discharge the cartridge. Once this occurs there will be a brief dwell time before the bullet leaves the barrel. Then the slide will begin to move rearward. This will drive the disconnecter out of the notch and back on the track which disengages the sear. The safety notch on the hammer (commonly referred to as the half cock position) is actually a stop that is engaged if the hammer inadvertently overrides the sear and falls unintentionally or if the sear disengages improperly without the trigger being depressed.

Sear

The sear holds the hammer back until the trigger mechanism is actuated. Pulling the trigger will place increasing pressure on the sear until it disengages the hammer, allowing the hammer to fall. The sear has two engagement points, the mating surface to the hammer hooks and the legs which meet the disconnecter paddle.

Disconnecter

The disconnecter is a vertical piece that fits between the trigger bow or stirrup and the sear. The top portion extends out of the frame and rides along the disconnecter track on the underside of the slide. When the disconnecter is pushed down along the track it disengages the sear legs which will not allow the trigger to actuate the sear. The bottom portion of the disconnecter or paddle drops down between the trigger bow and the sear legs. Only when the slide is in full battery does the disconnecter move up into the notch allowing contact engagement of the paddle with the sear legs.

Grip safety

The first part of the system is the grip safety. The trigger bow is blocked by the arm of the grip safety and the trigger cannot be pulled unless the grip safety is depressed.

Firing pin and spring

The firing pin is a long piece of turned metal with one end tapered and rounded. It transfers energy from the hammer to the tip of the striking surface on to a primed cartridge. Upon striking the primer the cartridge should discharge. The firing pin spring controls the speed of the firing pin movement forward and keeps the firing pin rearward when at rest. The firing pin spring should be strong enough to not allow the firing pin to move forward and strike the primer with enough force to discharge if the pistol sustains a fall from a reasonable distance.

Inertia firing pin

The firing pin is held in the rearward position by spring tension. Shorter than its housing, it cannot protrude through the face of the slide and contact the primer until the spring tension is overcome by the force of the falling hammer.

Thumb safety

The thumb safety is a safety device that is activated by the use of one's thumb. When engaged in the "safe" position, the thumb safety prevents the trigger from discharging the firearm.

Safety Features

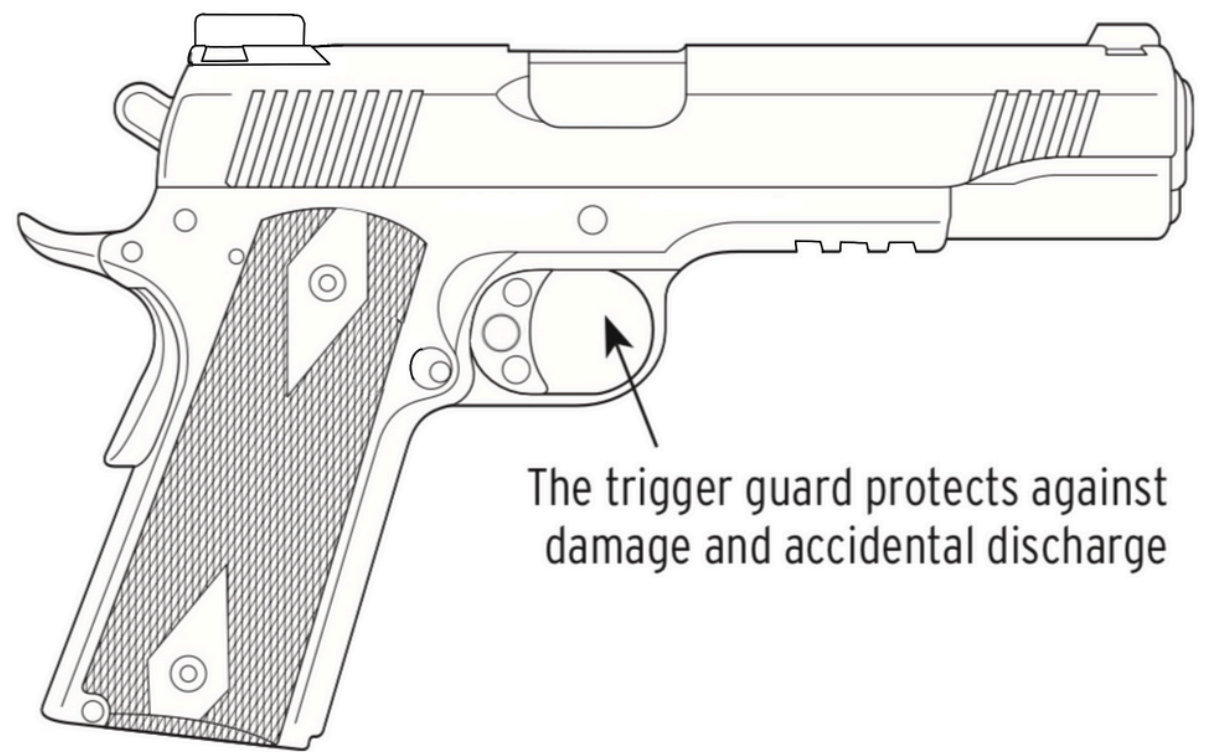
The 1911 is equipped with several safety features which can, if properly used, help minimize the danger of an unintentional discharge.

Trigger guard

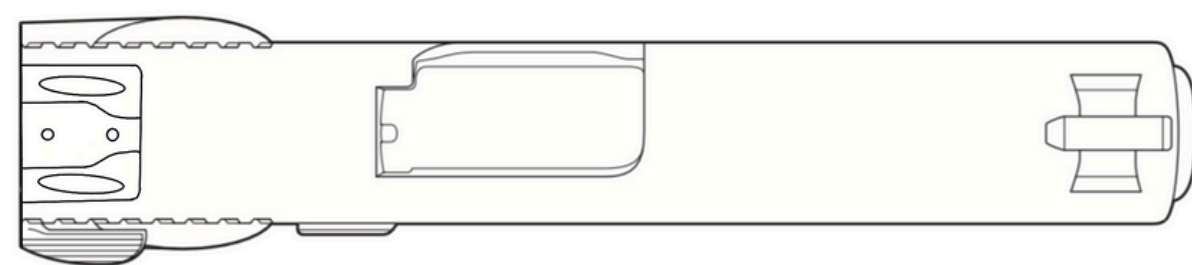
The trigger guard is a portion of the frame that surrounds the trigger, protecting it against damage and accidental discharge.

Loaded Chamber Indicator Port

The Loaded Chamber Indicator Port® is a small opening at the top rear of the barrel hood and, dependent on lighting conditions and on the color of the cartridge, may provide a visual indications to whether or not a round is in the chamber. When a round is chambered and light is available, the shell casing may be visible. **ALWAYS** abide by the Rules for Firearm Safety as found in this Manual. **NEVER** rely exclusively on mechanical or visual safeties. You can never be sure that a firearm is completely unloaded until both the magazine is removed and the chamber is visually inspected.



The trigger guard protects against damage and accidental discharge



Loaded Chamber Indicator Port

WARNING

While this firearm has design features and mechanical safeties to help prevent an unintentional discharge if the firearm is dropped or hit, never exclusively rely on such features and safeties as mechanical devices can fail, and such features are not a substitute for safe handling practices and proper maintenance.

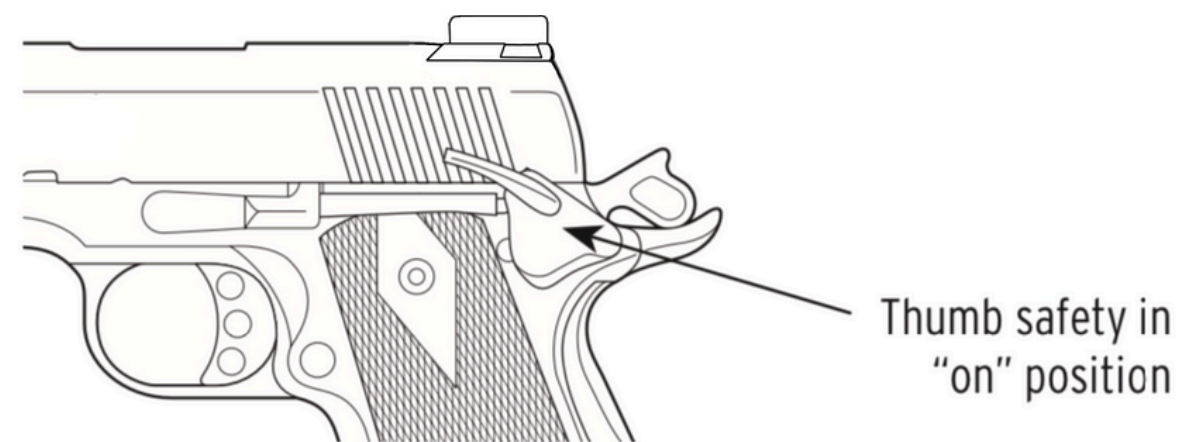
Never put your finger inside the trigger guard until you intend to fire.

WARNING

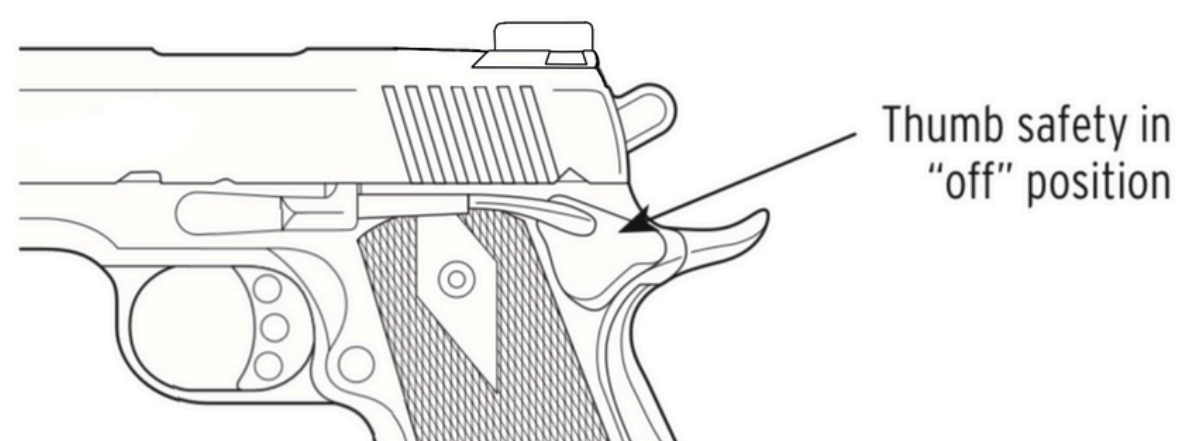
Although your Star M30 1911 firearm has a Loaded Chamber Indicator Port, you should never rely exclusively on it or your memory to determine whether your firearm is loaded or unloaded

Thumb safety

The thumb safety is located on the left side of the frame, immediately forward of the hammer. To operate, keep the firearm pointed in a safe direction, pull the slide to its most rearward position and release. Then, push the thumb safety forcefully and fully upward until it fully engages. The safety is now engaged and in the on position. This safety now engages an internal cam surface that prevents the hammer from moving forward. You must continue to follow all safety rules and instructions in this manual while handling the firearm. **NEVER** rely on any mechanical safety alone, as any mechanical device can fail, or you may be mistaken about the safety's position. Note that the thumb safety cannot be engaged unless the hammer is fully cocked and the slide is fully forward. To disengage the safety, keep the firearm pointed in a safe direction, move the thumb safety forcefully and fully to its downward or off position.



Thumb safety in "on" position



Thumb safety in "off" position

Grip safety

The grip safety is located on the rear of the frame and immediately below the hammer. This safety is automatically disengaged when the pistol is properly gripped. When engaged, it prevents the rearward movement of the trigger. To disengage, grip the pistol grip firmly. This will allow the pistol to fire, provided the thumb safety is in the off position and the trigger is pulled.



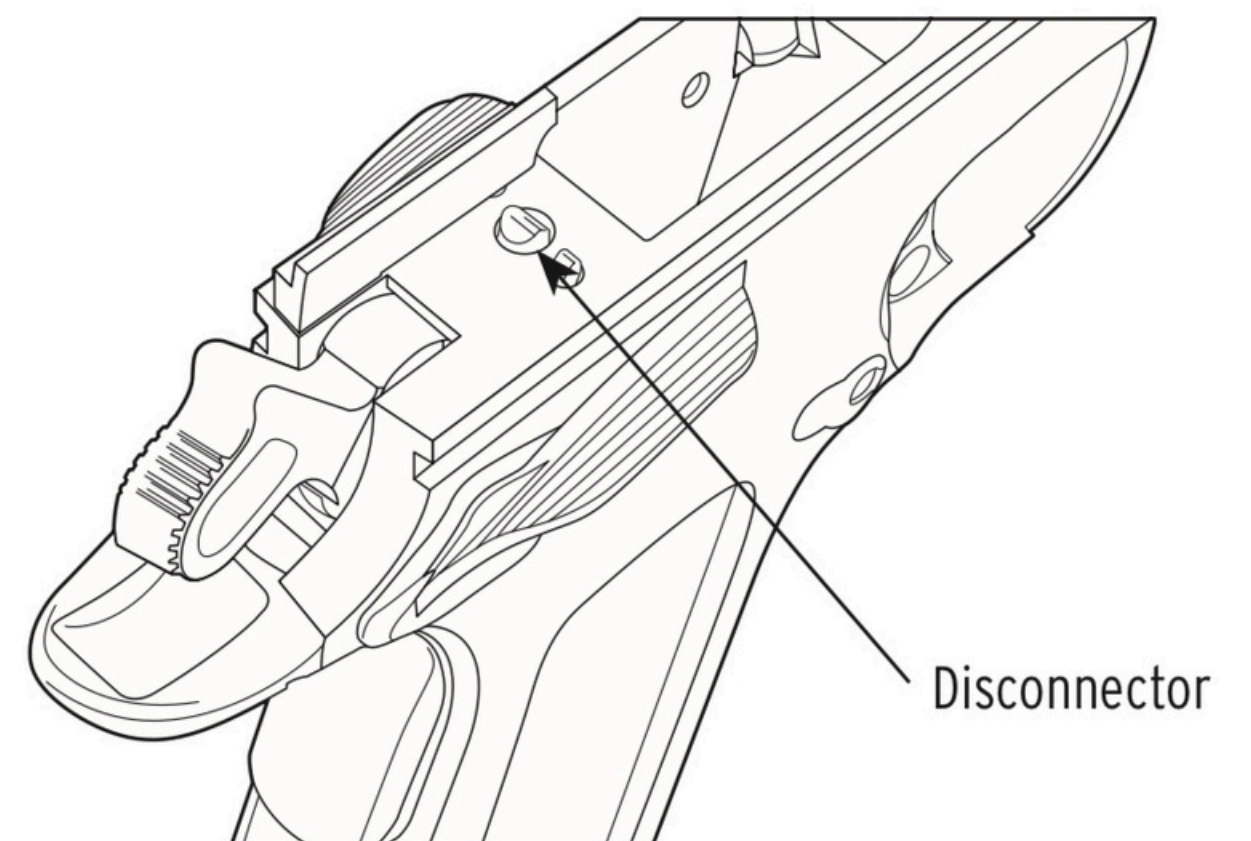
WARNING

Placing the safety in an intermediate position between the “on” and “off” position can result in the user thinking the firearm is in a safe or fire position when it is not. Pulling the trigger with the safety in an intermediate position may cause the firearm to fire. Therefore, always move the safety fully to its intended position, “on” or “off,” and then check to be sure it is where you want it to be. Never attempt to shoot the firearm with the safety only partially engaged, as the firearm may discharge and could result in death, serious injury or property damage.

NEVER rely exclusively on mechanical or visual safeties, as any mechanical device can fail, or you may be mistaken about the safety’s position.

Disconnecter

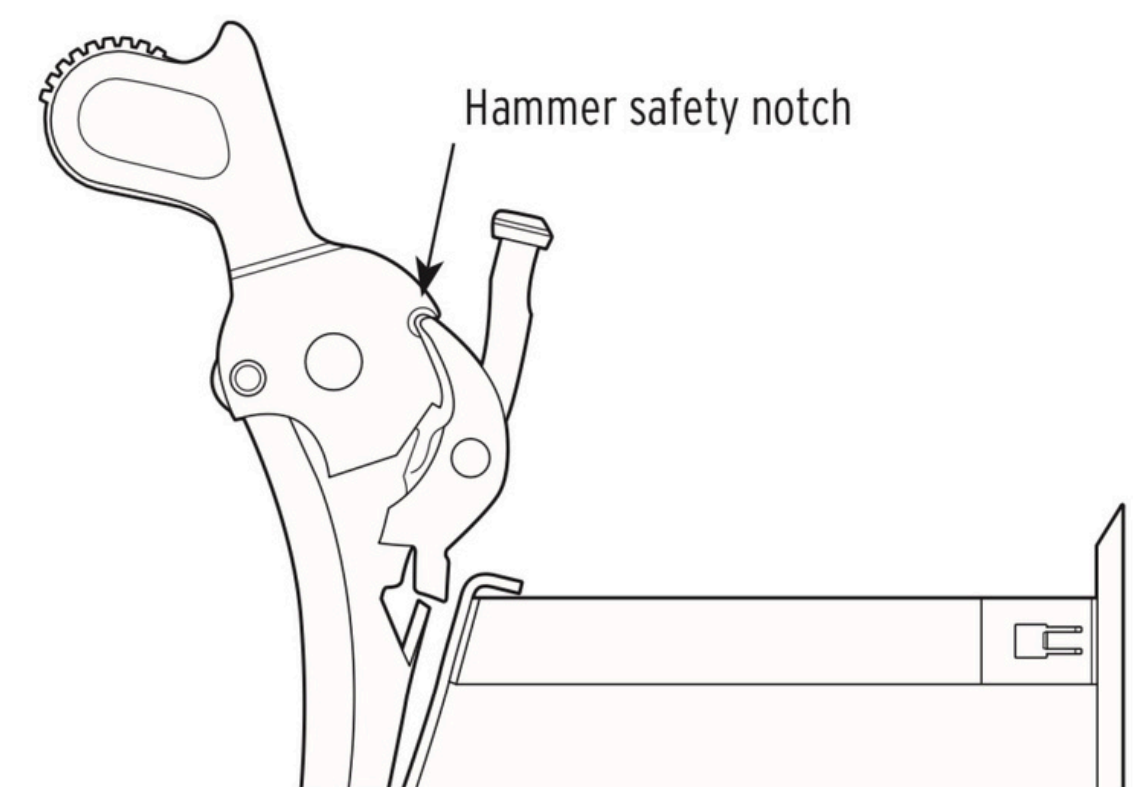
The disconnecter prevents a round from being fired before it can be properly seated in the chamber with the slide and barrel locked. If the slide is not fully forward, the disconnecter disengages the sear so the hammer cannot drop if the trigger is pulled. With the slide fully forward and the barrel locked, a spring pushes the disconnecter into a recess in the bottom of the slide and allows the hammer to move forward when the trigger is pulled.



Hammer safety notch

The hammer safety notch is a recess in the hammer which prevents it from traveling fully forward in the event of primary sear notch failure. It also prevents the hammer from contacting the firing pin if fingers slip from the slide or hammer while cocking the firearm if the hammer has moved past the stop. **The safety notch is not, however, a manual safety. Do not, under any circumstance, use the safety notch as a safety.**

The firing pin is held in the rearward position by spring tension. Shorter than its housing, it cannot protrude through the face of the slide and contact the primer until the spring tension is overcome by the force of the falling hammer.



Inertia firing pin

The firing pin is held in the rearward position by spring tension. Shorter than its housing, it cannot protrude through the face of the slide and contact the primer until the spring tension is overcome by the force of the falling hammer.

WARNING

The safety notch is not a manual safety. Do not use the safety notch as a safety. This creates an unsafe condition that could result in damage to the sear and/or unintentional discharge that could result in death, serious injury or property damage.

Basic operation

Ammunition

Camstar firearms are designed to function effectively with quality factory-manufactured ammunition in the caliber for which the firearm is chambered. The following is information to help avoid potential ammunition related problems.

Camstar recommends the use of high quality factory-made ammunition. Do not oil cartridges or spray lubricants, preservatives or cleaners on cartridges or where excess spray may come into contact with cartridges. Lubricants and other foreign matter on cartridges may cause potentially dangerous ammunition malfunctions. Use only ammunition of the caliber for which a firearm is chambered.

The use of reloaded, hand-loaded, remanufactured or other non-standard ammunition voids all warranties. Camstar specifically disclaims responsibility for any injury or damage whatsoever occurring in connection with, or as a result of, the use in Camstar firearms of faulty, reloaded, hand-loaded, remanufactured or other non-standard ammunition, or of cartridges other than those for which the firearm was originally chambered.

Use only ammunition of the caliber for which a firearm is chambered. Improper ammunition and improperly loaded ammunition can be extremely dangerous. Severe damage to the firearm and serious injury to the shooter or to others may result. Always use ammunition that complies with the industry performance standards. Death, serious injury, or damage to the firearm may result from any condition causing excessive pressure inside the chamber or barrel when a round is fired. Excess pressure may be caused by obstruction in the barrel, propellant powder overloads or by the use of incorrect or improperly- assembled cartridges. In addition, the use of a dirty, corroded or damaged cartridge may lead to a burst case and consequent damage to the firearm and personal injury from the sudden escape of high-pressure propellant gas within the firearm's mechanism.

Immediately stop shooting, unload the firearm as directed in this manual, and check the barrel for a possible obstruction whenever:

- Experiencing difficulty in or feeling unusual resistance when chambering a cartridge, or
- A cartridge does not fire (and you have waited at least 30 seconds with firearm pointing in a safe direction and cartridge still does not fire), or
- The firearm fails to extract or eject a fired cartridge case, or
- Unburned grains of powder are noticed in or around the firearm, or
- A shot sounds weak or abnormal, or recoil is less than usual

In the above and other cases, it is possible that a bullet is lodged part way down the barrel. Firing a subsequent bullet into an obstructed barrel may cause death or serious injury or damage to the firearm.

Bullets may become lodged in the barrel:

If there is any reason to suspect that a bullet is obstructing the barrel, immediately unload the firearm as directed in this manual and lock the slide to the rear. Then, insert a cleaning rod from the barrel's muzzle all the way through to the barrel's breech face to confirm that the barrel is not obstructed. If no cleaning rod is available, disassemble (field strip) the firearm, so you can safely look through the barrel from the chamber end through to the muzzle. It is not sufficient to merely look in the chamber. A bullet may be lodged some distance down the barrel where it cannot easily be seen.

If the cartridge has been improperly loaded without propellant powder or if the powder fails to ignite. In this case, ignition of the primer alone may push the bullet out of the cartridge case and into the barrel but usually does not generate sufficient energy for the bullet to exit the barrel.

If the bullet is loose or improperly seated within the cartridge case. When such a cartridge is extracted from the chamber without being fired, the bullet may be left behind in the bore at the point where the rifling begins. Subsequent chambering of another cartridge can push the first bullet farther into the bore and create an obstructed barrel.

If the bullet can easily be removed with a wood or brass dowel (using hand pressure only; never “hammer” a bullet lodged in the bore) clean any unburned powder grains from the bore, chamber and mechanism before resuming shooting. If the bullet cannot be dislodged without force, take the firearm to a professional gunsmith or contact Camstar Customer Service.

Dirt, corrosion or other foreign matter on a cartridge can impede complete chambering which in turn may cause the cartridge case to burst upon firing. The same is true of cartridges which are damaged or deformed.

Do not oil cartridges and be sure to always wipe the chamber clean of any oil preservative that may be present before chambering or firing. Oil interferes with the friction between the cartridge case and chamber wall that is necessary for safe functioning, and subjects the firearm to stress similar to that imposed by excessive pressure.

Use quality lubricants on all moving parts of the firearm in accordance with the lubrication instructions of this manual. Avoid excessive spraying of aerosol products, especially where it may contact or contaminate ammunition. All lubricants, and aerosol spray lubricants in particular, can penetrate cartridge primers and cause misfires. Some highly-penetrative lubricants can also get inside cartridge cases and cause deterioration of the propellant powder so that upon firing the powder may not ignite. If only the primer ignites, there is a danger that the bullet may become lodged in the barrel.

WARNING

If a bullet is in the bore or lodged in the barrel, do not attempt to shoot it out by using another cartridge, by blowing it out with a blank or with a cartridge from which the bullet has been removed. Such actions can generate excessive pressure, and cause death, serious personal injury or property damage.

Death, serious injury or property damage can result from a bore obstruction. Do not use reloaded, hand-loaded, remanufactured or other non-standard ammunition. Use of any such ammunition voids all warranties, and can cause death, serious injury or property damage.

Camstar specifically disclaims responsibility for any damage or injury whatsoever occurring in connection with, or as a result of, the use in Camstar firearms of faulty, reloaded, hand-loaded, remanufactured or other non-standard ammunition, or of cartridges other than those for which the firearm was originally chambered. Do not oil cartridges or spray lubricants, preservatives or cleaners on cartridges or where excess spray may come into contact with cartridges.

Lubricants and other foreign matter on cartridges may cause potentially dangerous ammunition malfunctions. Oil and solvent can penetrate cartridge primers and can cause misfires. To help reduce the chance of this happening, do not allow oil or solvent to remain in the firing pin channel, on the breech face or inside the magazine.

Read through the entire manual before attempting to use this product. Safe operation of this firearm is your obligation, and requires that you completely read and understand this manual in its entirety.

If a bullet is in the bore or lodged in the barrel, do not attempt to shoot it out by using another cartridge, by blowing it out with a blank or with a cartridge from which the bullet has been removed. Such actions can generate excessive pressure, damage the firearm and cause death, serious personal injury or property damage.

Loading

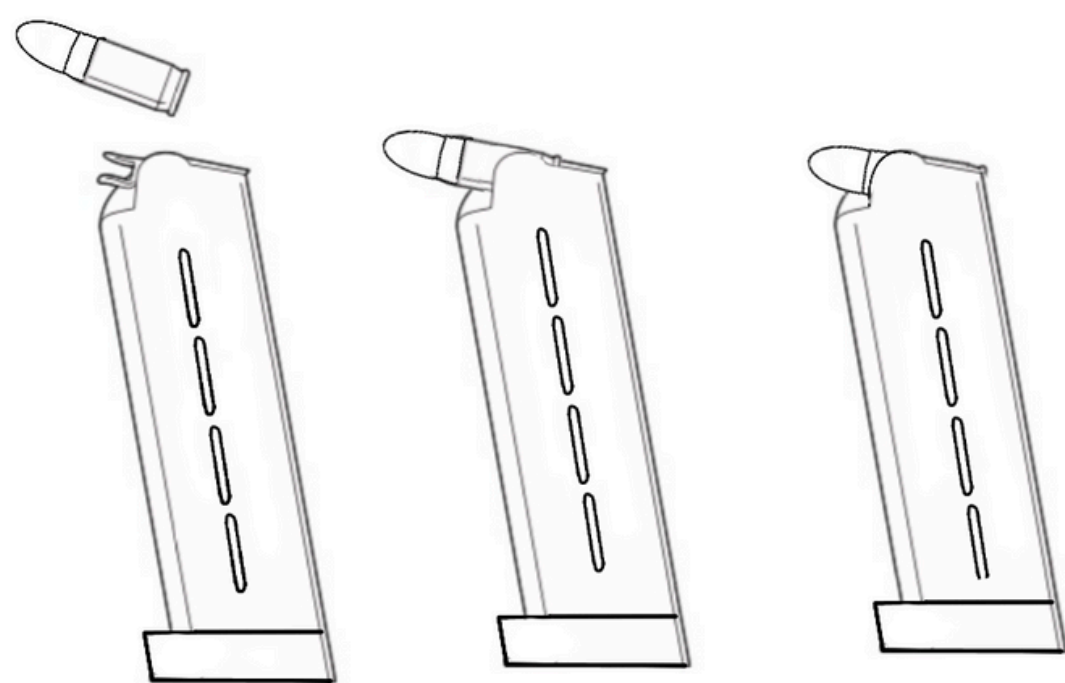
Keep the muzzle pointed in safe direction and follow the rules of firearm safety and all other safety procedures at all times. Practice these steps with an unloaded firearm or dummy ammunition until you are completely familiar and comfortable with all procedures. Use live ammunition only when prepared to shoot. Only use clean, dry and high-quality factory-fresh ammunition in the firearm, of the proper caliber, that meets industry performance standards.

NEVER TOUCH THE TRIGGER WHEN LOADING OR UNLOADING THE FIREARM.

With an empty magazine in the firearm, pull the slide back until the slide stop engages the slide stop notch, locking the slide open.

To remove the empty magazine, place your left hand under the grip. With the right thumb, press the magazine release button located on the left side of the frame behind the trigger. This will allow the magazine to fall free from the magazine well.

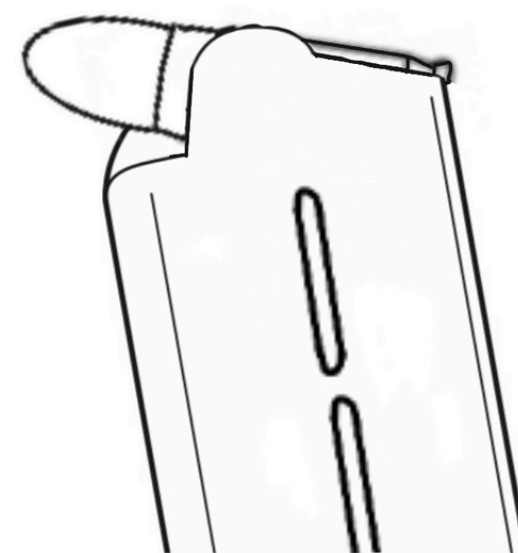
To load the magazine, place a cartridge at the top (open end) and then push it down and back, making sure that the rear of the cartridge is facing the rear of the magazine. Repeat until the magazine is fully loaded.



Proper
orientation of
cartridge when
loading the
magazine

NOTE

Fully seat the top round



WARNING

The firearm is now fully loaded and ready to fire. Keep the muzzle pointed in a safe direction and fully engage the thumb safety until ready to shoot. Always unload firearm immediately after use and before storage.

When retracting the slide is necessary as instructed in this manual, the slide should always be pulled rearward ("retracted") by placing your fingers on the slide serrations and pulling. Always keep your fingers out of the trigger guard and away from the trigger while retracting slide. Never put any part of your hand or body over or in front of the muzzle while retracting the slide.

Always load cartridges from the magazine only. Keep your finger off the trigger and outside of the trigger guard until prepared to fire. Failure to do so could result in death, serious injury or other property damage.

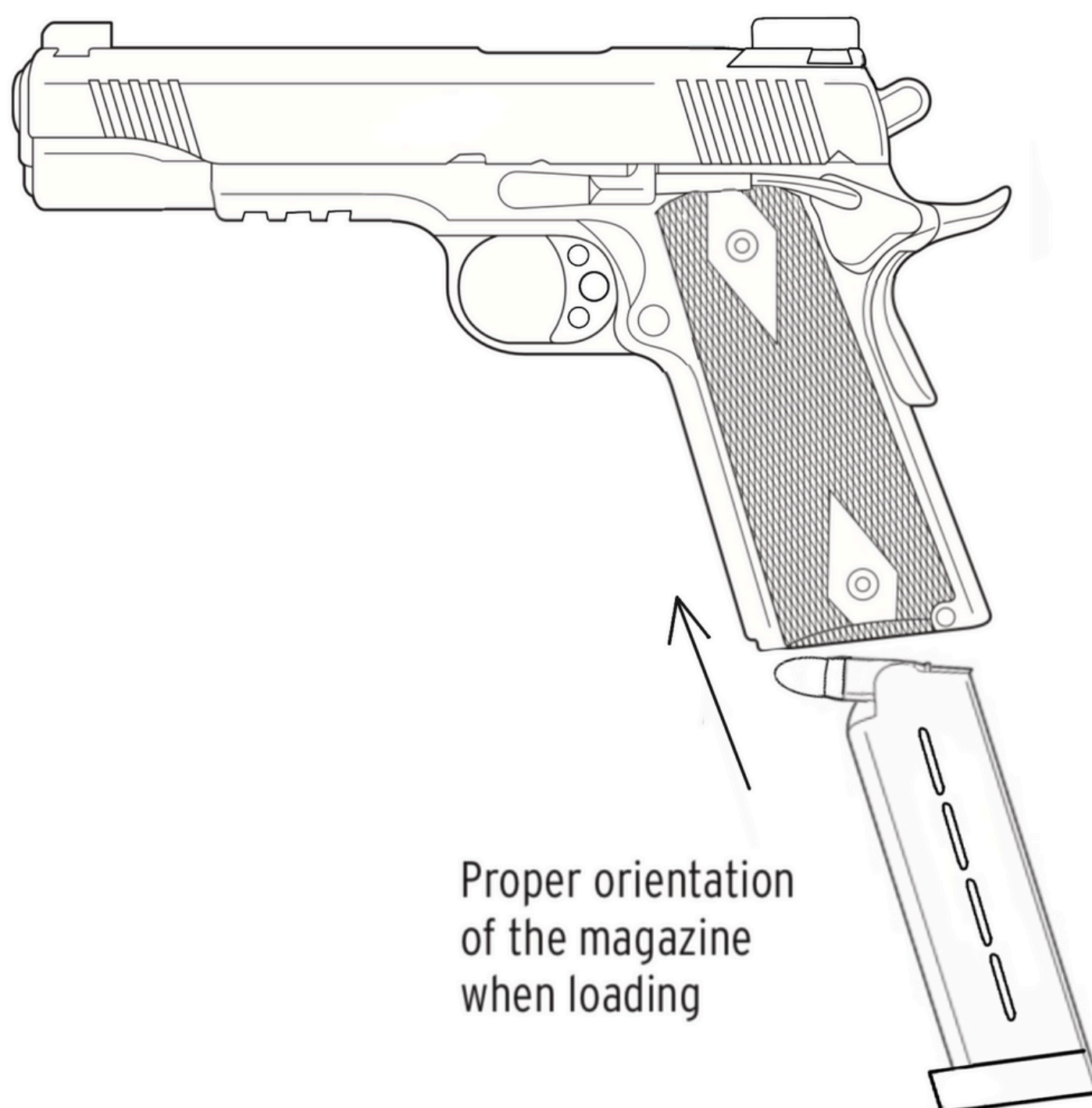
Never use ammunition not specifically designated for use in your firearm. Failure to use the correct type or caliber of ammunition may cause the firearm to jam, fail to fire, have an obstructed bore, or even generate excessive pressure, which can cause death, serious injury or property damage.

Do not use reloaded, hand-loaded, remanufactured or other non-standard ammunition. Use of any such ammunition can cause death, serious injury or property damage and voids all warranties. Camstar specifically disclaims responsibility for any damage or injury whatsoever occurring in connection with, or as a result of, the use in Camstar firearms of faulty, reloaded, hand-loaded, remanufactured or other non-standard ammunition, or of cartridges other than those for which the firearm was originally chambered.

Read through the entire manual before attempting to use this product. Safe operation of this firearm is your obligation, and requires that you completely read and understand this manual in its entirety.

Insert the top of the magazine into the magazine well at the bottom of the frame, with bullets facing forward, and push upward until the magazine is fully seated. When done properly, a click can be heard as the magazine catch engages.

To chamber a round: grip and hold the firearm firmly in the shooting hand **making sure the muzzle is pointing in a safe direction. Keep fingers outside of the trigger guard and not touching the trigger.** With the thumb and forefinger of the opposite hand, grab the serrations on both sides of the rear of the slide and pull it fully rearward, then release it allowing the slide to fall forward unhindered and unassisted. Do not hold or restrict the slide as it moves to the forward position. Holding or restricting the travel of the slide may cause failure to feed or misfeed, or prevent the slide from fully closing. The firearm is now fully loaded and ready to fire. **Keep the muzzle pointed in a safe direction and engage the thumb safety until ready to shoot.**



NOTE

Camstar 1911 pistols are designed to function best with projectiles that have a smooth contoured nose. Camstar recommends high quality, factory-fresh ammunition that meets SAAMI specifications.

Unloading

WARNING

This firearm is able to fire both with and without the magazine inserted. Removing the magazine will not unload the firearm or prevent the firearm from firing a cartridge that is left or placed in the chamber. The firearm is not unloaded until the magazine is removed, the chamber is empty, and the magazine well and chamber are both checked visually to be sure they are both empty.

When retracting the slide is necessary as instructed in this manual, the slide should always be pulled rearward ("retracted") by placing your fingers on the slide serrations and pulling. Always keep your fingers out of the trigger guard and away from trigger while retracting slide. Never put any part of your hand or body over or in front of the muzzle while retracting the slide.

Unloading if the firearm's slide is forward:

To unload if the firearm's slide is forward, make sure the muzzle is always pointed in a safe direction and your finger is outside the trigger guard and off the trigger throughout the unloading process.

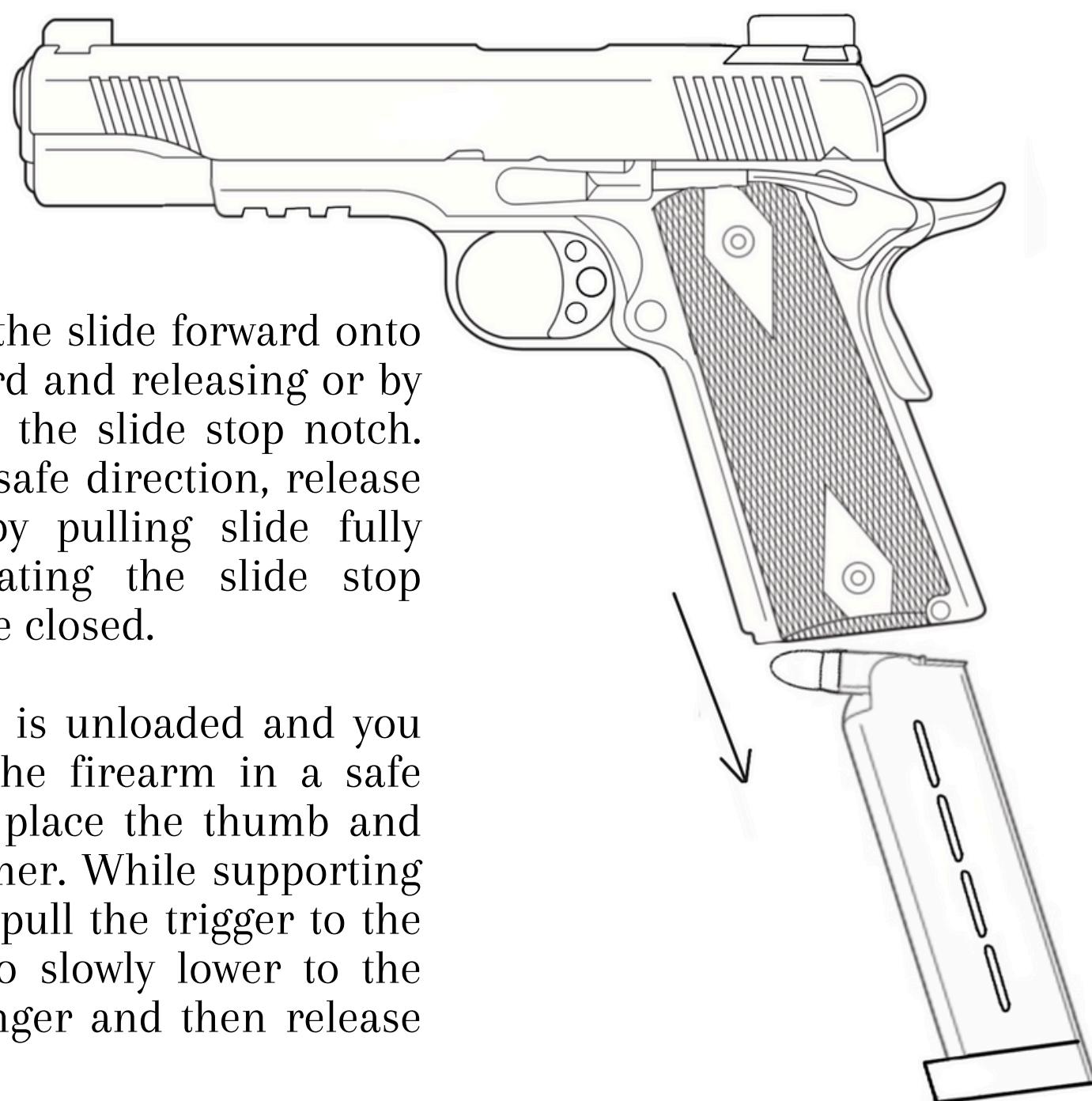
Remove the magazine placing your left hand under the grip. With the right thumb, press the magazine release button located on the left side of the frame behind the trigger. This will allow the magazine to fall free from the magazine well.

Keeping your finger clear of the trigger, and being sure the muzzle is pointed in a safe direction, grasp the slide serrations and pull the slide fully to the rear. This will clear (eject) the live round from the chamber.

Engage the slide stop by pulling the slide rearward while pushing the slide stop upward into the slide stop notch. Visually check to see that the chamber is clear.

Pointing the firearm in a safe direction, release the slide forward onto the empty chamber by pulling slide fully rearward and releasing or by manually rotating the slide stop downward past the slide stop notch. Ease the slide closed. Pointing the firearm in a safe direction, release the slide forward onto the empty chamber by pulling slide fully rearward and releasing or by manually rotating the slide stop downward past the slide stop notch. Ease the slide closed.

Only after you have confirmed that the firearm is unloaded and you have performed all of the steps above, point the firearm in a safe direction, place your finger on the trigger and place the thumb and index finger of your opposite hand on the hammer. While supporting the hammer with your thumb and index finger, pull the trigger to the rear and hold it while allowing the hammer to slowly lower to the forward position with your thumb and index finger and then release the trigger. **Never do this with a loaded firearm.**



WARNING

if the magazine is not removed prior to working (cycling) the slide to clear the chamber, any rounds left in the magazine will be chambered. This could lead to an unintentional discharge. This firearm will fire with a round chambered and the magazine removed. In clearing the chamber, allow the ejected round to fall freely out of the firearm, preferably onto a soft, clean surface. Do not cover the ejection port with your hand and try to catch the round as it is ejected, as serious injury could result.

If the magazine is not removed prior to working (cycling) the slide to clear the chamber, any rounds left in the magazine will be chambered. This could lead to an unintentional discharge. This firearm will fire with a round chambered and the magazine removed.

In clearing the chamber, allow the ejected round to fall freely out of the firearm, preferably onto a soft, clean surface. Do not cover the ejection port with your hand and try to catch the round as it is ejected, as serious injury could result.

Engage the slide stop by pulling the slide rearward while pushing the slide stop upward into the slide stop notch. Visually check to see that the chamber is clear.

Pointing the firearm in a safe direction, release the slide forward onto the empty chamber by pulling slide fully rearward and releasing or by manually rotating the slide stop downward past the slide stop notch. Ease the slide closed. Pointing the firearm in a safe direction, release the slide forward onto the empty chamber by pulling slide fully rearward and releasing or by manually rotating the slide stop downward past the slide stop notch. Ease the slide closed.

Only after you have confirmed that the firearm is unloaded and you have performed all of the steps above, point the firearm in a safe direction, place your finger on the trigger and place the thumb and index finger of your opposite hand on the hammer. While supporting the hammer with your thumb and index finger, pull the trigger to the rear and hold it while allowing the hammer to slowly lower to the forward position with your thumb and index finger and then release the trigger. Never do this 3. with a loaded firearm.

To remove any remaining rounds from the magazine, push the cartridges forward until they clear the retaining lips.

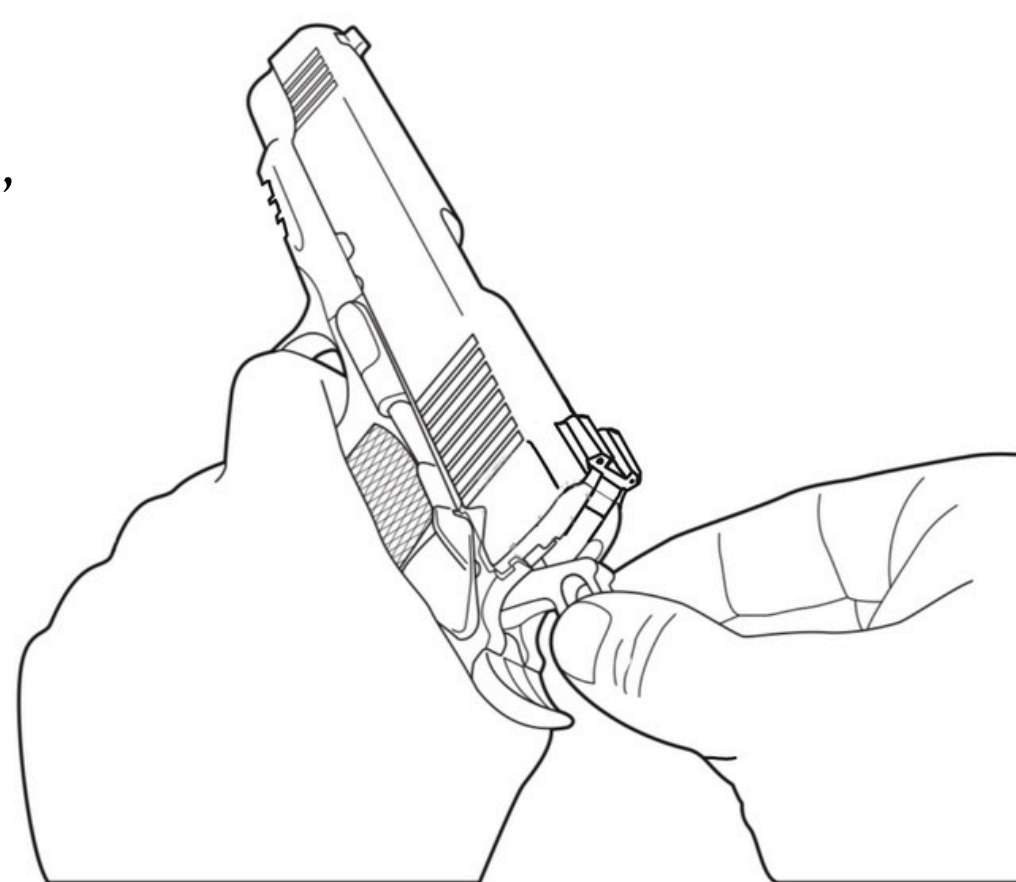
Store the firearm properly in an unloaded condition as instructed in this manual.

Unloading if the firearm's slide is locked open:

Place your left hand under the grip. With the right thumb, press the magazine release button located on the left side of the frame behind the trigger. This will allow the magazine to fall free from the magazine well.

Visually inspect to be certain the firearm's chamber and magazine well are empty.

Pointing the firearm in a safe direction, release slide forward onto the empty chamber by pulling slide fully rearward and releasing or by manually rotating the slide stop downward past the slide stop notch.



If you have fired the firearm until it is empty and the slide locks open (to the rear), to complete the unloading process, first remove the magazine.

Only after you have confirmed that the firearm is unloaded and you have performed all of the steps above, point the firearm in a safe direction, place your finger on the trigger and place the thumb of your opposite hand on the hammer. Never do this with a loaded firearm.

WARNING

In case of a failure to fire, continue to hold your firearm pointed towards the target for at least 30 seconds. If after 30 seconds, the round still does not fire, a hangfire (slow ignition) may possibly be the cause. If the round has not fired after 30 seconds, remove the magazine as instructed in this manual. Clear the firearm while keeping the muzzle pointed in a safe direction and the ejection port turned away from your face, eyes and other body parts, and examine the ejected, unfired cartridge. If the indent from the firing pin is off center, light or absent, take the firearm to a competent gunsmith or contact Camstar to arrange to have it examined by camstar. If the firing pin indentation on the primer appears normal (compared to similar previously fired cartridges) the cartridge may be defective. Separate the cartridge from other live ammunition and empty cases, reload your firearm and resume firing.

Clearing a Malfunction (Jam)

Always keep the muzzle pointed in a safe direction and be sure that the manual safety is in the on or "safe" position.

Remove the magazine as instructed in this manual.

Lock the slide open with the slide stop before attempting to clear jam (Drawing the slide fully to the rear may bring the jammed cartridge along).

If the cartridge can easily be removed with a wood or brass dowel (using hand pressure only; never "hammer" a jammed cartridge) clean any unburned powder grains from the bore, chamber and mechanism before resuming shooting. If the cartridge cannot be dislodged without force, take the firearm to a professional gunsmith or contact Camstar Customer Service

All auto-loading firearms may occasionally experience a malfunction (jam) related to the feeding of ammunition. If a cartridge jams do not attempt to force it into the chamber. Carefully remove it by following instructions on clearing a malfunction (jam). Most malfunctions are caused by improper ammunition, an improper grip on the firearm when shooting (limp wristing), improper lubrication or a damaged magazine. To help minimize the chance of malfunctions (jams), regularly perform preventative maintenance on your firearm pursuant to the instructions in this manual. If you experienced a malfunction (jam) while using a new brand, type or lot of ammunition, try firing another type of ammunition to determine whether the ammunition was the source of the malfunction (jam).

WARNING

Do not use a metal tool to attempt to remove an unfired cartridge because it could ignite the primer and fire or rupture into fragments out of the ejection port with sufficient force that could cause death, serious injury or property damage.

If a bullet is in the bore or lodged in the barrel, do not attempt to shoot it out by using another cartridge, by blowing it out with a blank or with a cartridge from which the bullet has been removed. Such actions can generate excessive pressure that could cause death, serious injury or property damage.

Wear eye protection while attempting to clear a malfunction (jam).

Before using this firearm, carefully read this manual in its entirety, understand and follow all instructions and warnings. Failure to read this manual and understand and follow all instructions and warnings may result in an unsafe condition that could cause death, serious injury or property damage.

Care Support

WARNING

Always ensure that your firearm is unloaded before cleaning, and follow the rules of safe gun handling and instructions in this manual. Wear appropriate eye protection when disassembling, cleaning, lubricating and assembling firearm.

Cleaning

Keeping the firearm pointed in a safe direction and fingers are outside of the trigger guard and away from the trigger, unload the firearm as instructed in this manual

Disassemble (field strip) the firearm as instructed in this manual

Always insert a cleaning rod from the chamber end of the barrel.
Run a patch wet with bore cleaning solvent through the barrel bore and let the solution soak a few minutes. Always read and follow the manufacturer's directions for the bore cleaner being used.

Run a dry patch through to remove loose debris/deposits.

Run a wet bore brush through the chamber end of the barrel and out the muzzle, making several passes.

NOTE

Run a dry patch through the barrel before firing to remove oil.

Lightly oil the barrel. Wipe off all dirt on all bearing surfaces on the slide and frame.

Clean the breech face and all parts (a toothbrush or similar nylon brush works well). Follow lubrication directions in this manual before reassembling. Do not expose night sights to an ultrasonic cleaning environment.

NOTE

Ultrasonic cleaning is not recommended. Damage to the finish or parts cleaned using an ultrasonic cleaner are not covered under warranty.

Lubrication

Lubricate the following parts:

- a. Slide and frame rails; 3 drops on each side.*
- b. Disconnecter on top of frame; 1 drop.*
- c. Barrel hood; 2 drops spread across surface.*
- d. Barrel locking lugs inside slide and on barrel; 1 drop on each lug.*
- e. Barrel link; 1 drop behind link.*
- f. Slide stop pin; 1 drop spread across surface.*
- g. Outside of barrel; 3 drops spread across surface.*
- h. Cocked hammer; 1 drop in between the hammer and frame.*
- i. Guide rod; 1 drop spread across surface*

Reassemble the firearm as instructed in this manual. Move the slide back and forth 5 – 6 times, dry fire and then wipe off any excess lubrication.

If the firearm has been stored with oil in the barrel and chamber, push a dry patch through the barrel before firing.

The key to proper firearm lubrication is moderation. Too little and the firearm may not function properly or be subject to premature wear. Too much and there is the risk of attracting dirt and debris to the bearing surfaces causing premature wear and potential functioning problems. All metal parts including stainless steel should be lightly lubricated.

Silicone-impregnated cloths are also recommended as an option after handling.

WARNING

Discharging firearms in poorly ventilated areas, cleaning firearms or handling ammunition may result in exposure to lead and other substances known to cause birth defects, reproductive harm, cancer and other serious physical injury. Have adequate ventilation at all times. Wash hands thoroughly after exposure.

Wear appropriate eye protection when disassembling, cleaning, lubricating, and assembling firearm.

Do not oil cartridges or spray lubricants, preservatives or cleaners on cartridges or where excess spray may come into contact with cartridges. Lubricants and other foreign matter on cartridges may cause potentially dangerous ammunition malfunctions. Oil and solvent can penetrate cartridge primers and can cause misfires. To help reduce the chance of this happening, do not allow oil or solvent to remain in the firing pin channel, on the breech face or inside the magazine.

Do not place lubricant into the firing pin channel as oil there may slow the movement of the firing pin, and can cause a misfire.

Read through the entire manual before attempting to use this product. Safe operation of this firearm is your obligation, and requires that you completely read and understand this manual in its entirety.

Always store this firearm with the chamber empty, unloaded and with the hammer forward and released on an empty chamber. Failure to do so could result in an unintentional discharge.

Keep out of reach of children. For increased safety, firearms should be stored unloaded in a location that is secure and inaccessible to children and any other unauthorized person, with ammunition locked securely in a different location.

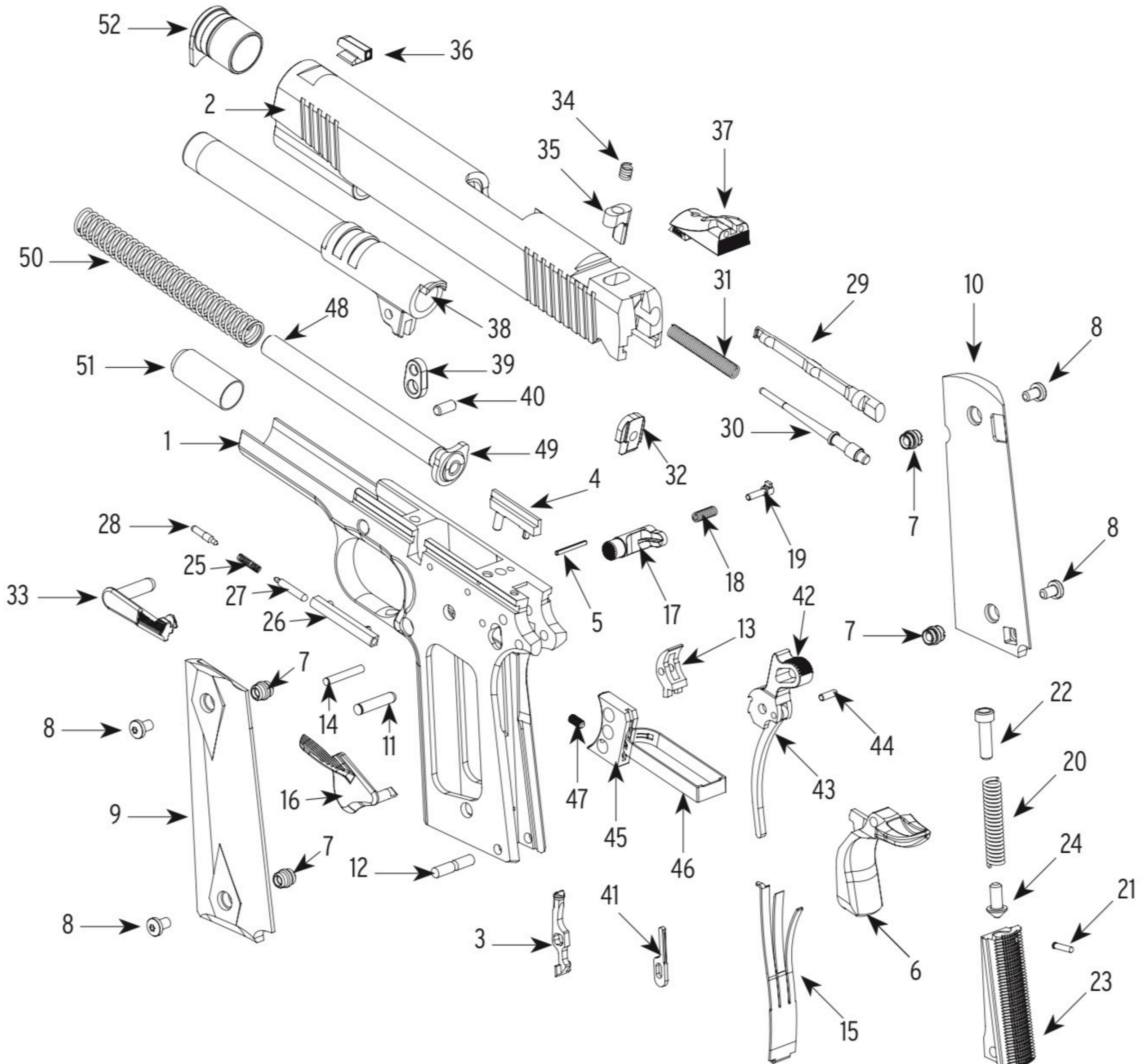
Improper installation of the cable lock through the trigger guard can result in an unintentional discharge causing death, serious injury or property damage. While locking devices are an important aid to security measures, they are not a substitute for safe firearm handling and proper storage. Mechanical and locking devices can fail and/or be bypassed with enough time, knowledge, determination and equipment.

Diagram and parts list

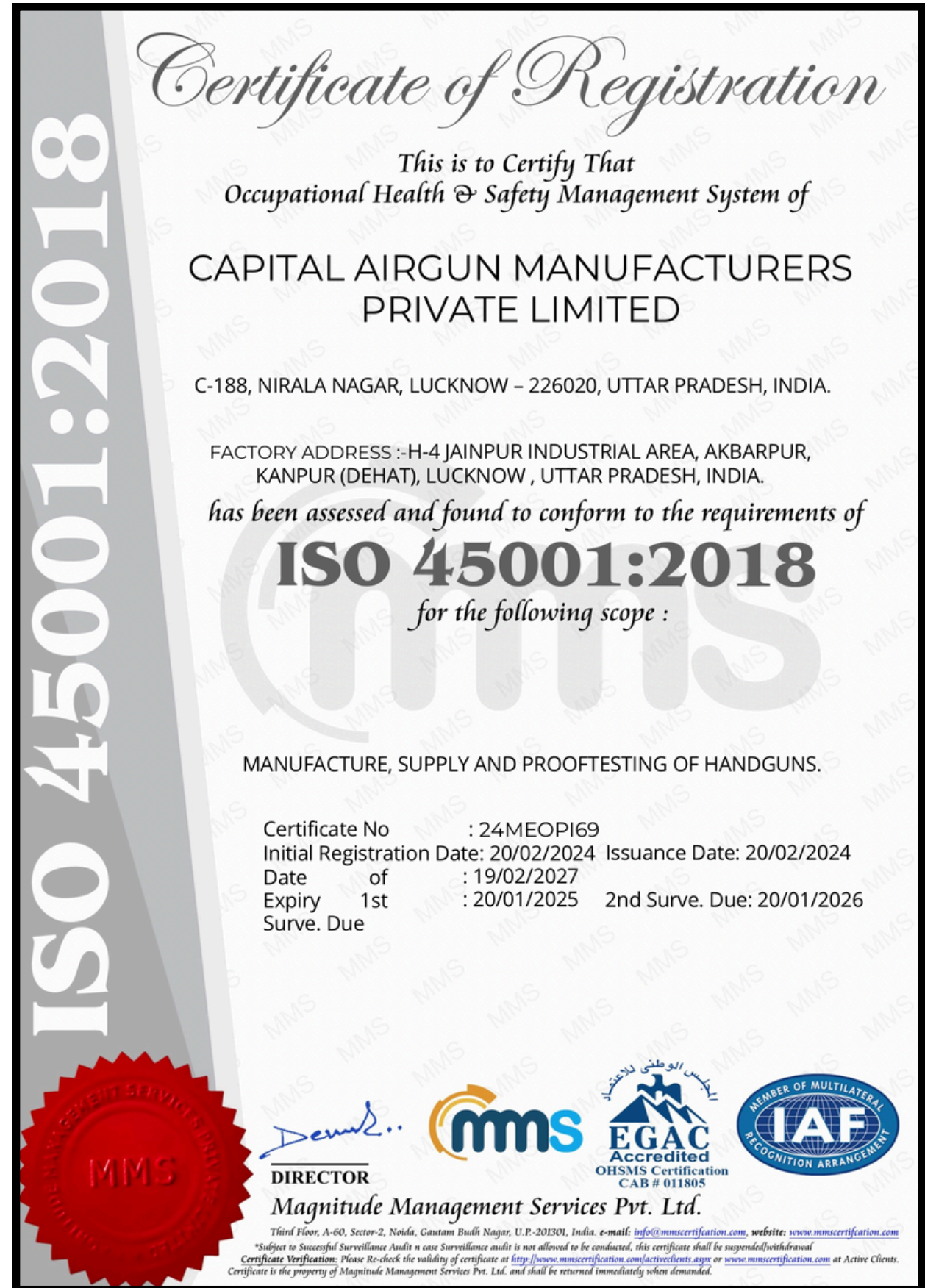
1. Frame
2. Slide
3. Disconnecter
4. Ejector
5. Ejector pin
6. Grip safety
7. Grip screw bushing
8. Grip screw
9. Grip (left)
10. Grip (right)
11. Hammer pin
12. Mainspring housing pin
13. Sear
14. Sear pin
15. Sear spring
16. Thumb safety
17. Magazine release
18. Magazine release spring

19. Magazine release lock
20. Mainspring
21. Mainspring cap pin
22. Mainspring cap
23. Mainspring housing
24. Mainspring housing pin retainer
25. Plunger spring
26. Plunger tube
27. Thumb safety plunger
28. Slide stop plunger
29. Extractor
30. Firing pin
31. Firing pin spring
32. Firing pin stop
33. Slide stop
34. Firing pin block spring

35. Firing pin block
36. Front sight
37. Rear sight
38. Barrel
39. Barrel link
40. Barrel link pin
41. Push rod
42. Hammer
43. Hammer strut
44. Hammer strut pin
45. Trigger pad
46. Trigger bow
47. Trigger stop screw
48. Guide rod
49. Guide rod head
50. Recoil spring
51. Recoil spring plug
52. Barrel bushing



Certification



Contact Us

Contact Us

For any warranty support, product service or general queries, mail us at info@camstardefence.com or call us at 1800 3098 456

Factory Address: H4, Jainpur Industrial Housing, Kanpur Dehat, Uttar Pradesh, India 209311

Head Office: C188, Nirala Nagar, Lucknow, Uttar Pradesh, India 226020

Branch Office: 37/54, Capital Tower, Meston Road, Kanpur, Uttar Pradesh 208001

Warranty

CAMSTAR  **DEFENCE**

WARRANTY *Certificate*

Camstar pistols proudly come standard with our Limited Lifetime Warranty. This Limited Lifetime Warranty is intended to deliver the highest level of confidence in quality, reliability and support when purchasing a Camstar firearm.

Camstar firearms are warranted, for the lifetime of the original purchaser (Indian licensed customers) and only to the original purchaser, to be free from defects in material and workmanship. Camstar agrees to correct, by repair or replacement with a new or comparable model, a qualifying Camstar product without charge. Proof of original ownership (e.g., copy of a dated bill of sale showing original purchase of a new firearm) is required to be eligible for this Limited Lifetime Warranty. Camstar assumes no responsibility for product malfunction, physical injury or property damage resulting in whole or in part from criminal use, or negligence, improper or careless handling, unauthorized modifications, use of defective, improper, or hand-loaded ammunition, abuse, neglect, or any other influences beyond Camstar's control.

This warranty does not apply to the normal wear of any parts or surface finish, including metal, plastic, rubber, or other materials. This warranty does not cover repairs related to unreasonable use, corrosion, damage, barrels damaged by an obstructed bore. It also does not apply to loss or damage suffered during return shipment.. This warranty does not cover repairs related to unreasonable use, corrosion, damage, barrels damaged by an obstructed bore. It also does not apply to loss or damage suffered during return shipment.


Camstar reserves the right to inspect the product before making replacement or repairs covered by this warranty.

Camstar may, at its discretion, offer a replacement firearm at no charge or a reduced price for discontinued firearms that are not repairable. Certain discontinued models may not be eligible for this program.

Under no circumstances shall Camstar be held liable for incidental or consequential damages with respect to economic loss, injury or property damage resulting from the breach of either the express or implied warranty.



CAMSTAR  DEFENCE

STAR M30 1911 
CAMSTAR DEFENCE - MADE IN INDIA

**PRECISE
POWERPACKED
PRECAUTIONARY**